

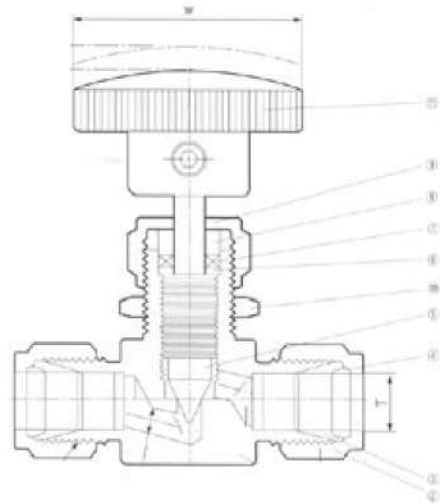
FORGED INTEGRAL BONNET NEEDLE VALVES



SPECIFICATION

1. CONNECTION : AVLOK TUBE FITTING
2. MAX OPERATION TEMPERATURE : -50°c ~ +232°
3. MAX OPERATION PRESSURE
 ASTM A182 F316 : 5000PSIG
 BRASS : 3000PSIG
4. AVAILABLE WITH PLASTIC OR SS/ALUMINIUM BAR HANDLES.
5. SIZE RANGE 1/8" UPTO 1"

No.	Description	SS316Valves	Brass Valves
1.	Body	316SS	Brass
2.	Nut	316SS	Brass
3.	Front Ferrule	316SS	Brass
4.	Back Ferrule	316SS	Brass
5.	Stem	316SS	316SS
6.	Packing Ring	316SS	Brass
7.	Packing	TFE	TFE
8.	Packing Gland	316SS	Brass
9.	Packing Nut	316SS	Brass
10.	Lock Nut	316SS	Brass
11.	Handle	Standard	P.C.
		Alternative	316SS (BAR) Brass (Bar)



All dimensions are for reference only, and are subject to change without prior notice.
 Sizes and types other than those featured above are available on request.

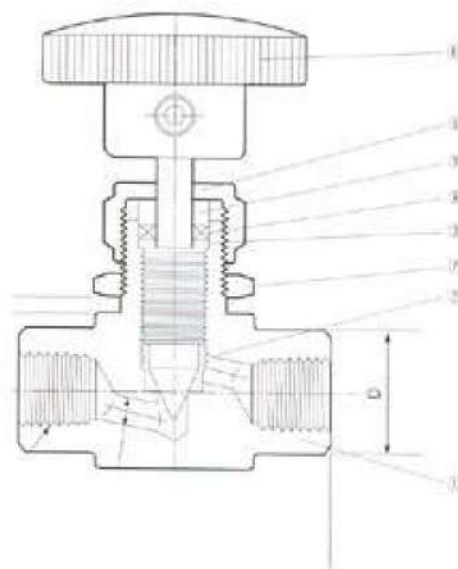
FORGED INTEGRAL BONNET NEEDLE VALVES



SPECIFICATION

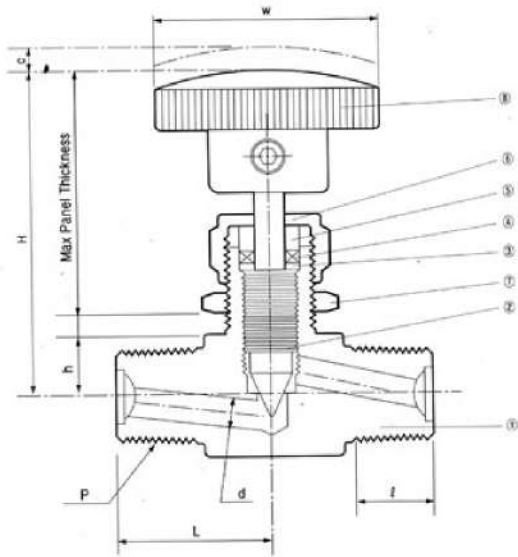
1. CONNECTION : FEMALE THREAD (BSP/NPT)
2. MAX OPERATION TEMPERATURE : -50°c ~ +232°
3. MAX OPERATION PRESSURE
 ASTM A182 F316 : 5000PSIG
 BRASS : 3000PSIG
4. AVAILABLE WITH PLASTIC/SS BAR HANDLES
5. SIZE RANGE 1/8" UPTO 1"

No.	Description	SS316Valves	Brass Valves
1.	Body	316SS	Brass
2.	Stem	316SS	316SS
3.	Packing Ring	316SS	Brass
4.	Packing	TFE	TFE
5.	Packing Gland	316SS	Brass
6.	Packing Nut	316SS	Brass
7.	Lock Nut	316SS	Brass
8.	Handle	Standard	P.C.
		Alternative	316SS (BAR) Brass (Bar)



All dimensions are for reference only, and are subject to change without prior notice.
 Sizes and types other than those featured above are available on request.

FORGED INTEGRAL BONNET NEEDLE VALVES



SPECIFICATION

1. CONNECTION : MALE THREAD (BSP/NPT)
2. MAX OPERATION TEMPERATURE : -50°c ~ +232°
3. MAX OPERATION PRESSURE
ASTM A182 F316 : 5000PSIG
4. AVAILABLE WITH PLASTIC/SS BAR HANDLES
5. SIZE RANGE 1/8" UPTO 1"

No.	Description	SS316Valves	Brass Valves
1.	Body	316SS	Brass
2.	Stem	316SS	316SS
3.	Packing Ring	316SS	Brass
4.	Packing	TFE	TFE
5.	Packing Gland	316SS	Brass
6.	Packing Nut	316SS	Brass
7.	Lock Nut	316SS	Brass
8.	Handle	Standard	P.C.
		Alternative	316SS (BAR) Brass (Bar)



All dimensions are for reference only, and are subject to change without prior notice.
 Sizes and types other than those featured above are available on request.

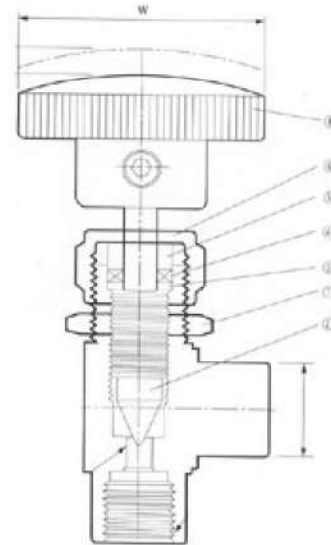
FORGED INTEGRAL BONNET ANGLE TYPE VALVES



SPECIFICATION

1. CONNECTION : FEMALE THREAD (BSP/NPT)
2. MAX OPERATION TEMPERATURE : -50°C ~ +232°
3. MAX OPERATION PRESSURE
 ASTM A182 F316 : 5000PSIG
 BRASS : 3000PSIG
4. AVAILABLE WITH PLASTIC OR SS/ALUMINIUM BAR HANDLES.
5. SIZE RANGE 1/8" UPTO 1"

No.	Description	SS316Valves	Brass Valves
1.	Body	316SS	Brass
2.	Stem	316SS	316SS
3.	Packing Ring	316SS	Brass
4.	Packing	TFE	TFE
5.	Packing Gland	316SS	Brass
6.	Packing Nut	316SS	Brass
7.	Lock Nut	316SS	Brass
8.	Handle	Standard	P.C.
		Alternative	316SS (BAR) Brass (Bar)



All dimensions are for reference only, and are subject to change without prior notice.
 Sizes and types other than those featured above are available on request.